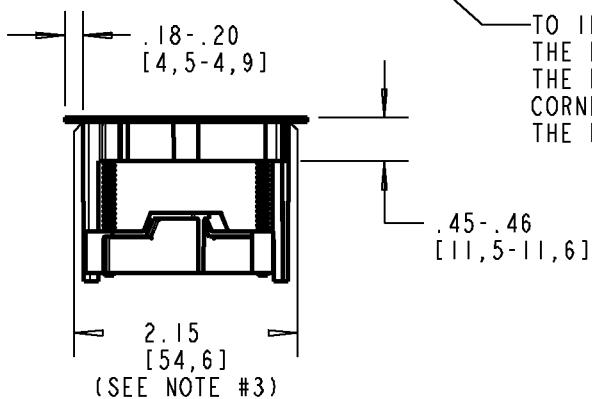
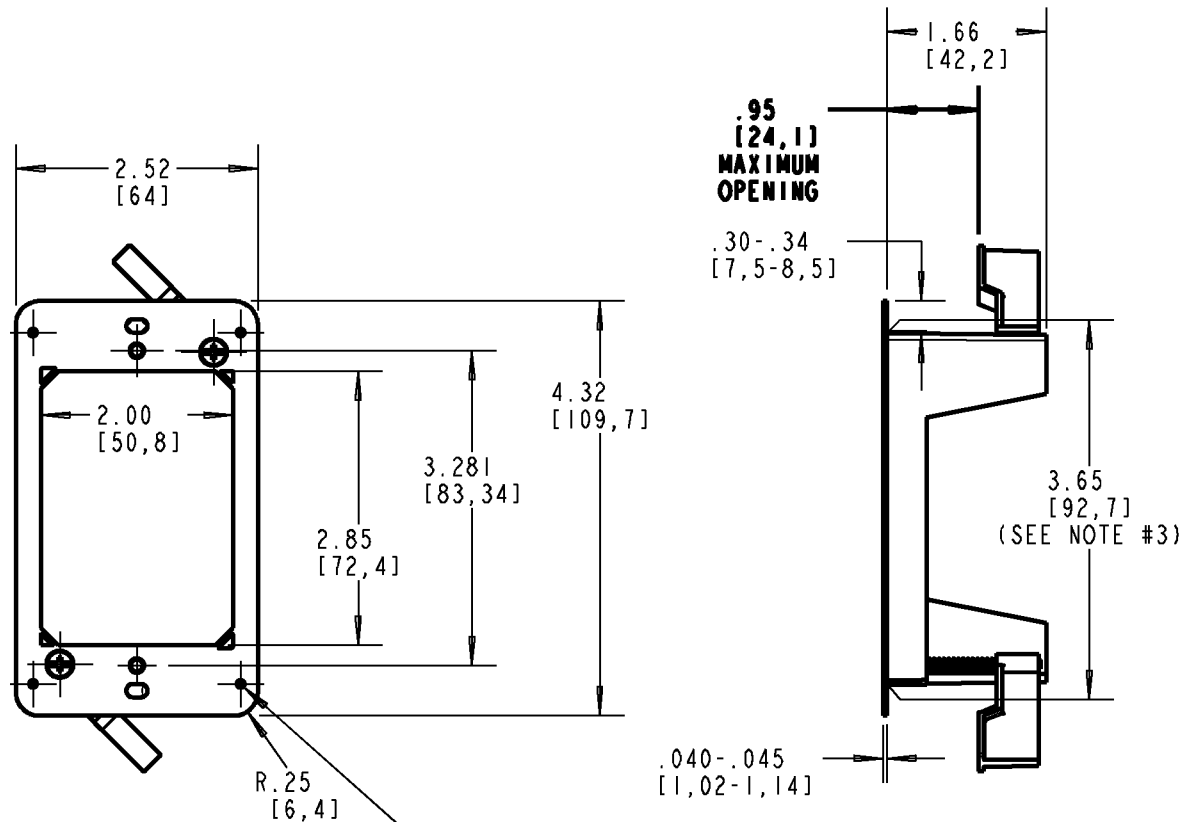
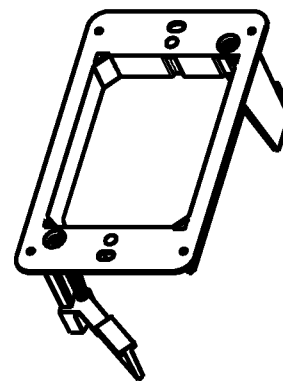


Carlton®



TO INSTALL, JUST FACE THE FRONT FLANGE ONTO THE DESIRED SURFACE. USING A PENCIL, MARK THE FOUR POINTS USING THE HOLES IN THE FOUR CORNERS ON THE FLANGE. DRAW A LINE CONNECTING THE FOUR POINTS, AND CUT ON THE LINES.




WARNING:
FOR USE WITH LOW VOLTAGE CLASS 2 DEVICES ONLY.
DO NOT USE AS A SUBSTITUTE FOR A CONVENTIONAL SWITCH/OUTLET BOX.

NOTES:

- 1.) PRODUCT IS ORANGE W/ ORANGE FLIPPERS.
- 2.) INSTALLATION HOLE DIMENSIONS: 2.15 +.10 / -.00 x 3.65 +.15 / -.00
- 3.) MATERIAL: POLYCARBONATE

P/N SC100RR

GENERAL NOTES		 www.tnb.com			
1. ALL DIMENSIONS ARE FOR REFERENCE ONLY. 2. DIMENSIONS IN BRACKETS [] ARE IN METRIC UNITS.					
REVISIONS		DESCRIPTION: 1-GANG LOW VOLTAGE BRACKET			
E SEE ERN 2015594 FOR APPROVAL SIGNATURES & RELEASE DATE. PROJECT NO: NM400330		ORIGINAL PROJECT NO / (ERN NO) / ()	SHEET NO: 1 OF 1	REV. NO: E	DRAWING NO: WSD-AC04757